

**Required Tool: (Not included)**

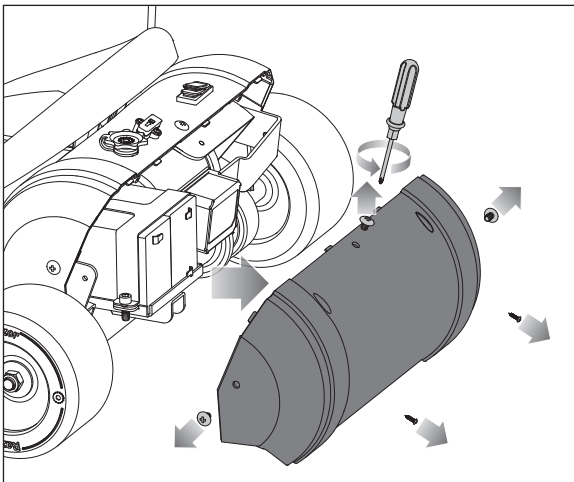
A. Phillips Screwdriver

**⚠ WARNING**

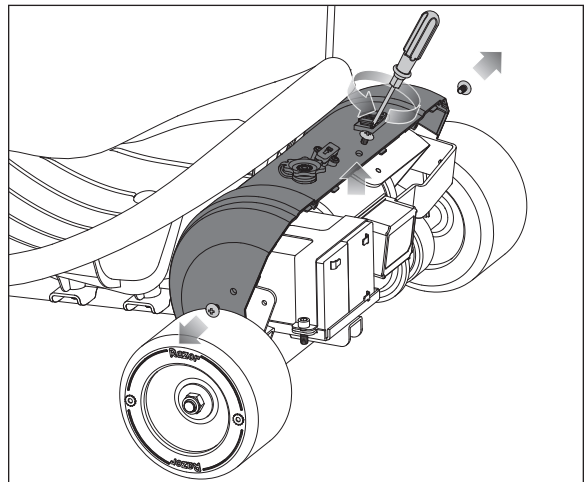
**⚠ CAUTION:** To avoid potential shock or other injury, turn power switch OFF and disconnect charger before conducting any assembly or maintenance procedures. Failure to follow these steps in the correct order may cause irreparable damage.

**Step 1**

Using a Phillips screwdriver, remove the five (5) screws from the rear battery cover. Set the cover aside.

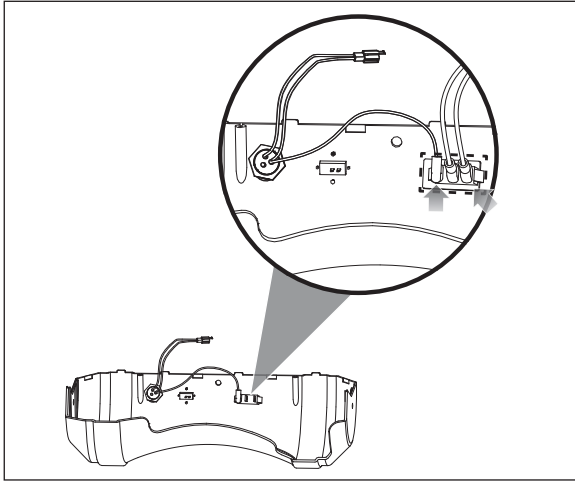
**Step 2**

Using a Phillips screwdriver, remove the three (3) screws from the front battery cover. Set the cover aside.



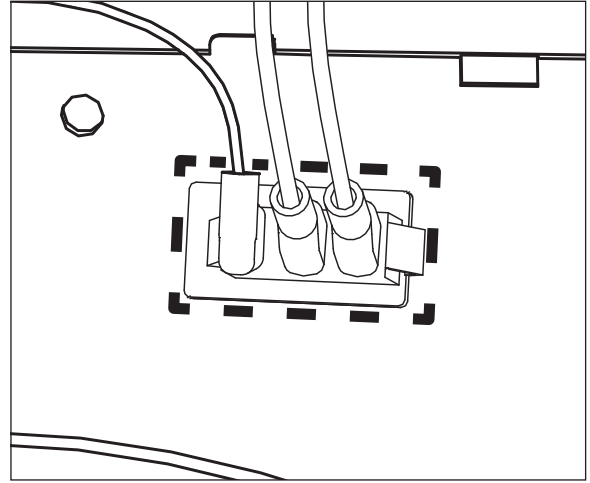
### Step 3

Unplug the connectors between the power switch, charging port, and controller. Remove the glue around the power switch.



### NOTE:

When reconnecting the power switch, make sure the black wire from the charger port connects only to the gold prong and the two (2) wires from the controller connect to the silver prongs.



### Step 4

To install the new power switch, reverse steps 1 through 3.

**ATTENTION: Charge battery 8 hours before using.**

