

Required Tool: (Not included)

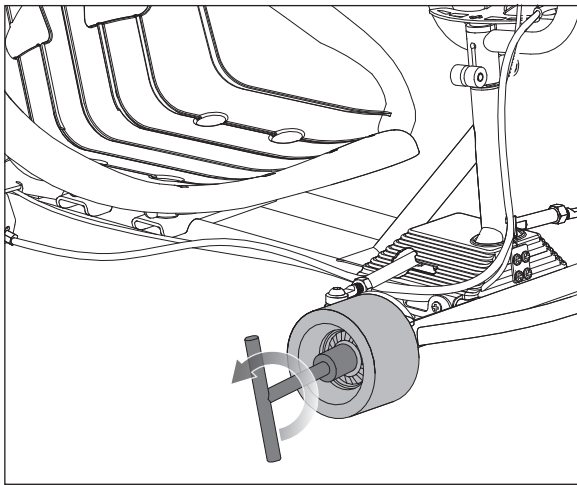
13 mm Socket Wrench

! WARNING

! CAUTION: To avoid potential shock or other injury, turn power switch OFF and disconnect charger before conducting any assembly or maintenance procedures. Failure to follow these steps in the correct order may cause irreparable damage.

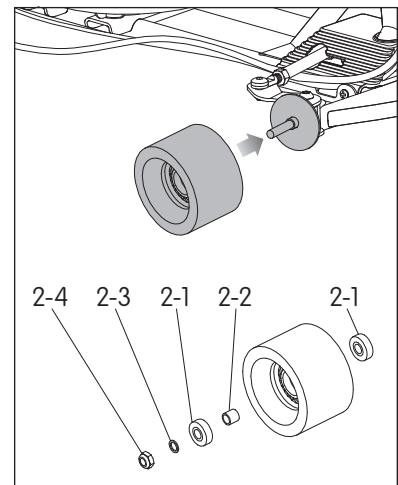
Step 1

Using a 13 mm socket wrench, remove the nut on the front wheel.

**Step 2**

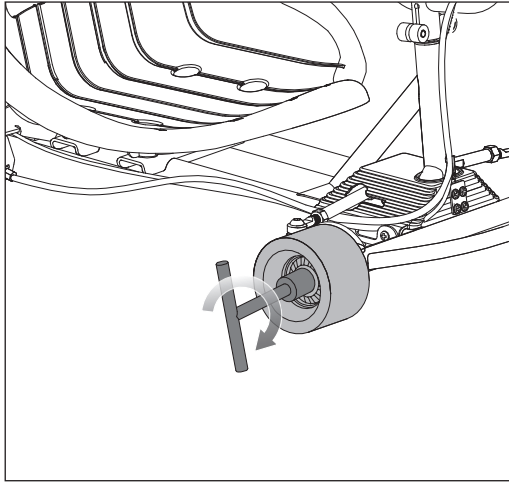
Remove the front wheel and replace it with the new one. Please refer to the diagram below for the installation sequence of the parts.

- 2-1 Bearings
- 2-2 Spacer
- 2-3 Washer
- 2-4 Lock Nut



Step 3

Using a 13 mm socket wrench, tighten the nut on the front wheel.



Step 4

ATTENTION: Charge battery 8 hours before using.