

Required Tools: (Not included)

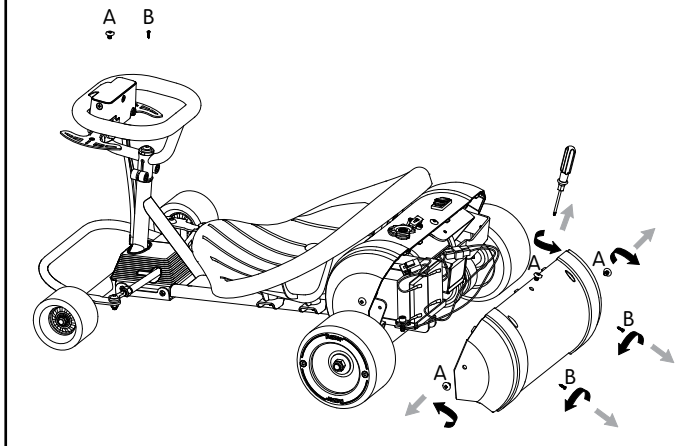
- A Phillips screwdriver
- B. Flat screwdriver
- C. Long needle pliers

⚠ WARNING

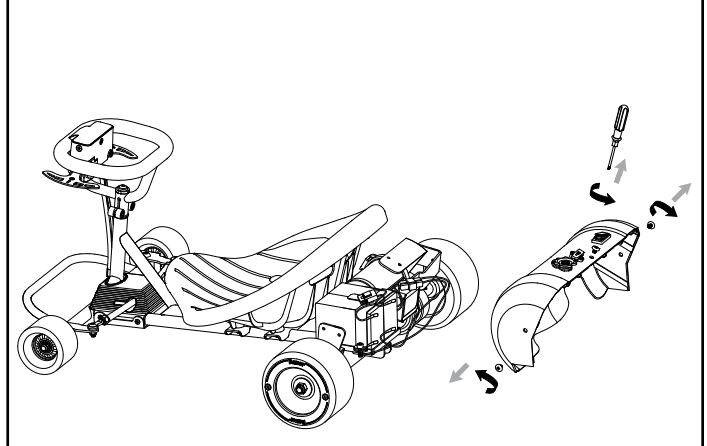
⚠ CAUTION: To avoid potential shock or other injury, turn power switch OFF and disconnect charger before conducting any assembly or maintenance procedures. Failure to follow these steps in the correct order may cause irreparable damage.

Step 1

Use a Phillips screwdriver to remove five (5) screws on the battery rear cover.

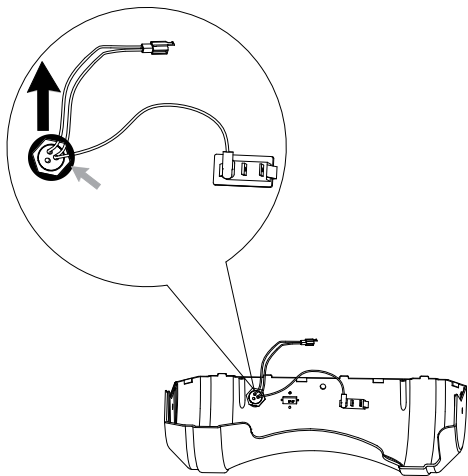
**Step 2**

Use a Phillips screwdriver to remove three (3) screws on the battery front cover.



Step 3

Unplug the connector between the charging port and power switch. Using a flat screwdriver, remove the glue on the back of the charger port. Using long needle pliers, remove the lock nut that holds the charger port in place.



Step 4

To install a new charging port, reverse steps 1-3.

When reconnecting the charger port, make sure to connect it only on the gold colored prong from the power switch.

ATTENTION: Charge battery 8 hours before using.

