

Required Tools: (Not included)

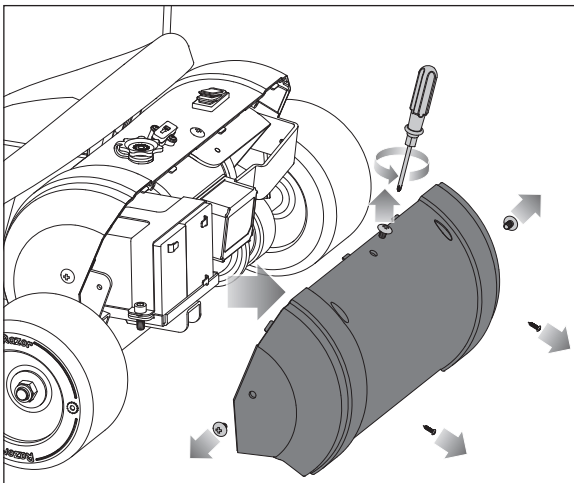
- A. 4 mm Allen Wrench
- B. Phillips Screwdriver

⚠ WARNING

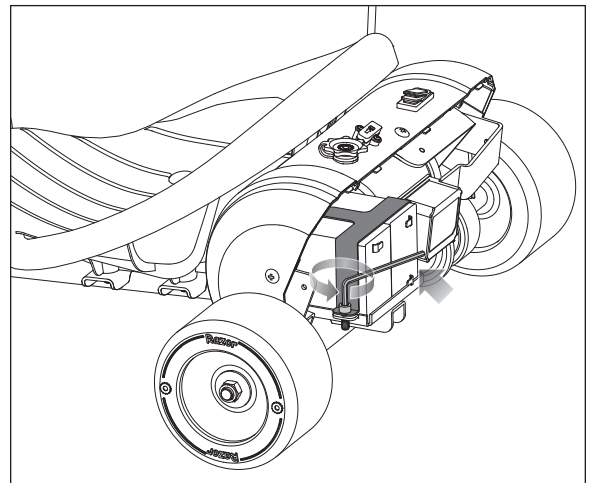
⚠ CAUTION: To avoid potential shock or other injury, turn power switch **OFF** and disconnect charger before conducting any assembly or maintenance procedures. Failure to follow these steps in the correct order may cause irreparable damage.

Step 1

Using a Phillips screwdriver, remove the five (5) screws from the battery box.

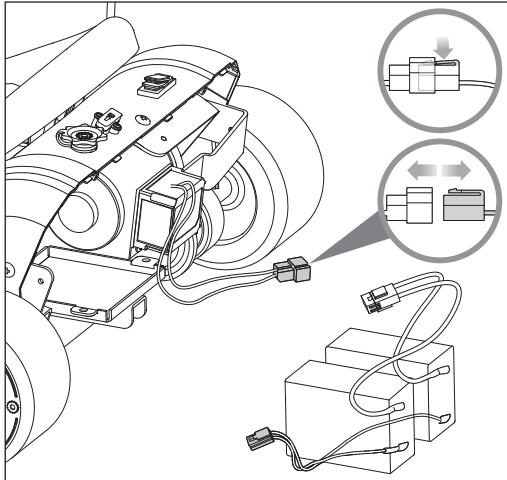
**Step 2**

Using a 4 mm Allen wrench, remove the two (2) bolts from the battery strap and remove the battery strap.



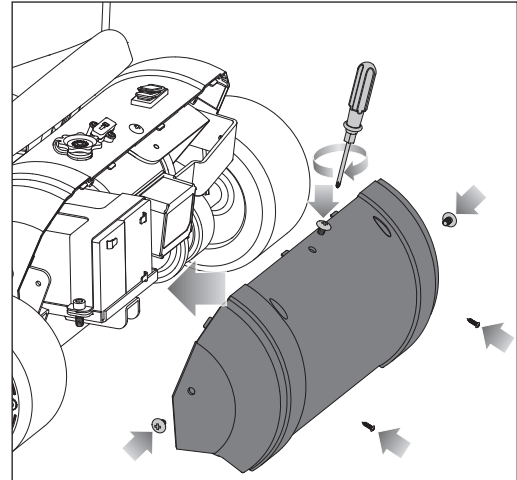
Step 3

Disconnect the battery connector and remove the battery.



Step 4

To install the replacement battery, reverse steps 1 through 3.



ATTENTION: Charge battery 8 hours before using.