



**GROUND FORCE RAD ROD
STEERING WHEEL, THROTTLE AND BRAKE
REPLACEMENT INSTRUCTIONS**
PART # W25141001039

Required Tools: (Not included)

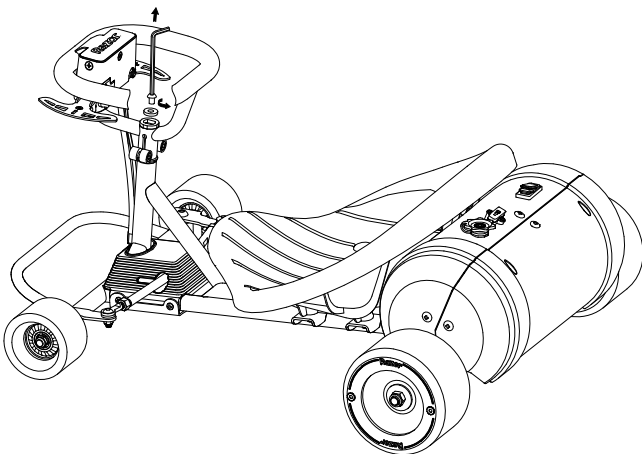
- A. 5 mm Allen wrench
- B. Phillips screwdriver
- C. 10 mm open-end wrench

⚠ WARNING

⚠ CAUTION: To avoid potential shock or other injury, turn power switch **OFF** and disconnect charger before conducting any assembly or maintenance procedures. Failure to follow these steps in the correct order may cause irreparable damage.

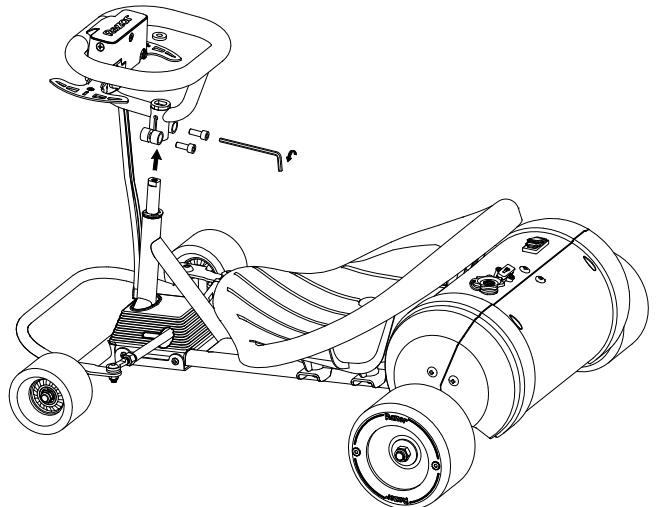
Step 1

Use a 5 mm Allen wrench to remove the screw and washer on the top of the steering wheel.



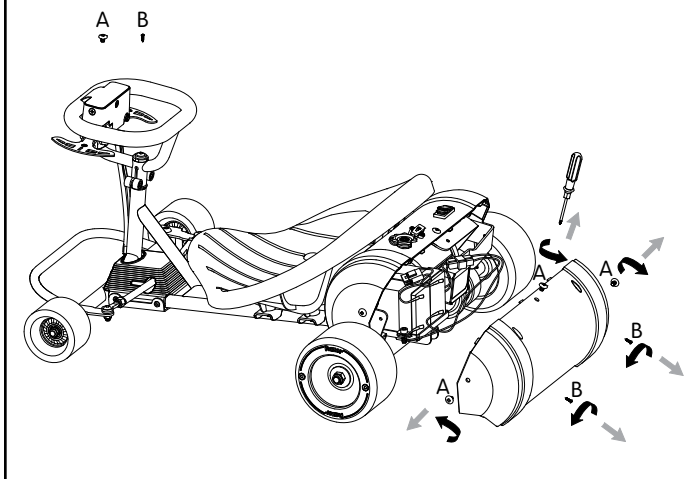
Step 2

Use a 5 mm Allen wrench to remove two (2) screws below the steering wheel.



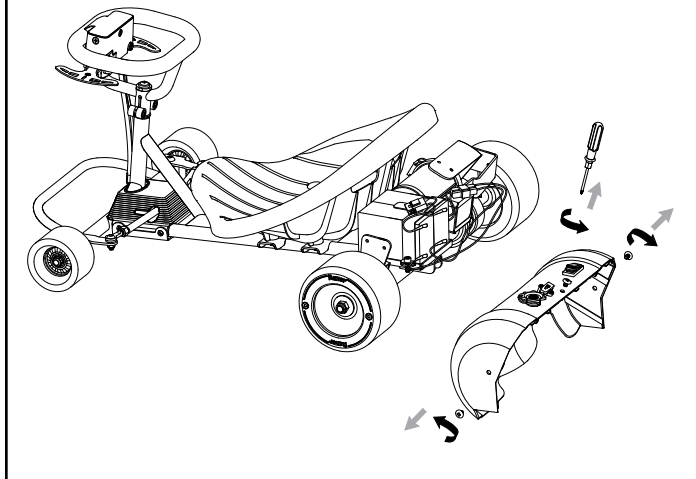
Step 3

Use a Phillips screwdriver to remove five (5) screws on the rear battery cover.



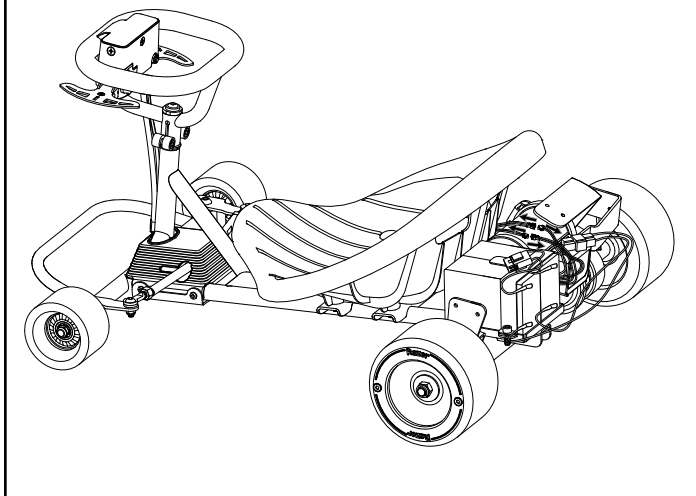
Step 4

Use a Phillips screwdriver to remove three (3) screws on the front battery cover.



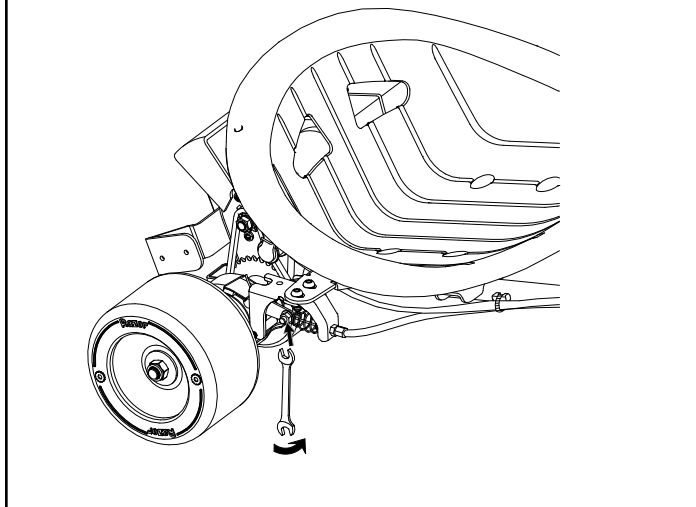
Step 5

Unplug all the connectors between the steering wheel and the controller.



Step 6

Use a 10 mm open-end wrench to loosen the nut on the brake. Pull out brake line.



Step 7

To install a new steering wheel, reverse steps 1-6.

ATTENTION: Charge battery 8 hours before using.