

Required Tools: (Not included)

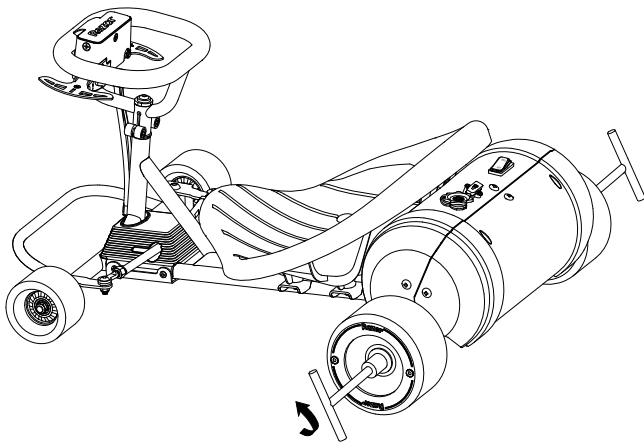
- Two (2) 17 mm Socket Wrenches

⚠ WARNING

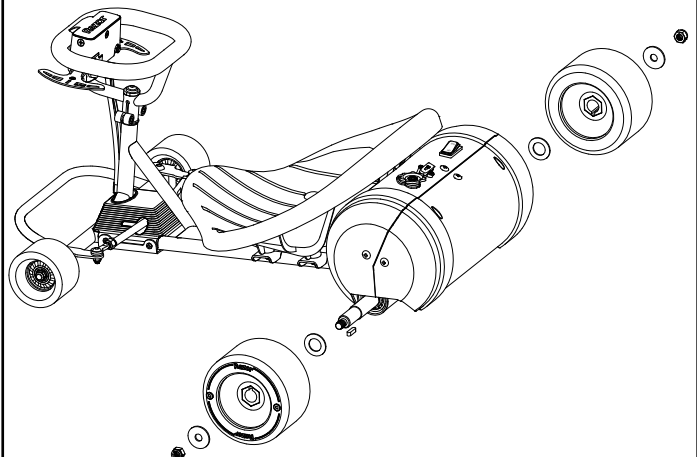
⚠ CAUTION: To avoid potential shock or other injury, turn power switch **OFF** and disconnect charger before conducting any assembly or maintenance procedures. Failure to follow these steps in the correct order may cause irreparable damage.

Step 1

Use two (2) 17 mm socket wrenches to remove the nuts on the rear wheel.

**Step 2**

Remove the rear wheels, then assemble the new wheels. Make sure to properly install the key way on the axle before re-installing the wheel.



Step 3

To install a new rear wheel, reverse steps 1-2.

ATTENTION: Charge battery 8 hours before using.