

Required Tool: (Not included)

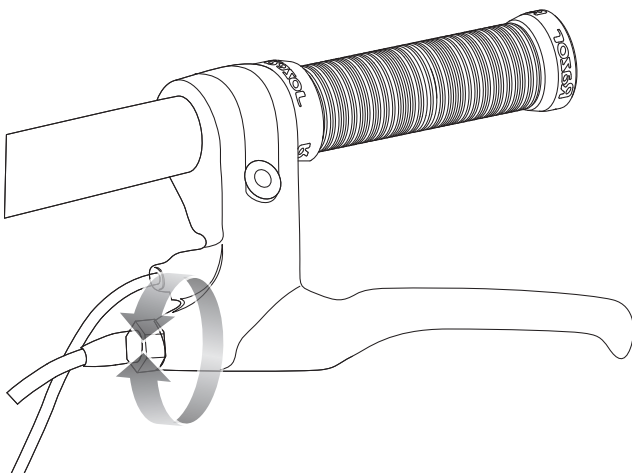
- 10 mm Wrench

⚠ WARNING

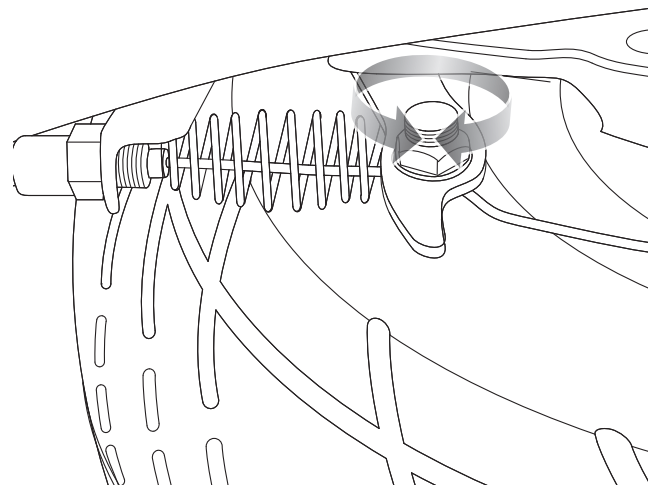
⚠ CAUTION: To avoid potential shock or other injury, turn power switch **OFF** and disconnect charger before conducting any assembly or maintenance procedures. Failure to follow these steps in the correct order may cause irreparable damage.

Step 1

To adjust the tension, thread the brake lever adjuster in or out 1/4 to 1/2 turn until the desired brake adjustment is attained. Most adjustments are complete at this step. If brake still needs further adjustment, proceed to step 2.

**Step 2**

If the brake has too much slack, use a 10 mm wrench to loosen the brake anchor cable for additional adjustment and retighten.



Step 3

After you loosen the nut, push the brake anchor to the front and pull the brake cable out. Without releasing the brake anchor retighten the nut of the brake. If you need additional adjustment repeat step 2 and 3.

ATTENTION: Charge battery 12 hours before using.

