



POWERWING®



OWNER'S MANUAL

Read and understand this entire manual before allowing child to use this product! For assistance contact Razor. DO NOT RETURN TO STORE.

NOTE: Manual illustrations are for demonstration purposes only. Illustrations may not reflect exact appearance of actual product. Specifications subject to change without notice.

Please have your product along with the 22 character product I.D. code with you before contacting Razor for warranty assistance and/or replacement parts.

Product I.D. Code: _____ - _____ - _____

CONTENTS

Safety Warnings.....	1	Pre-Ride Checklist and Usage.....	5
Before You Begin.....	2	PowerWing Parts	6
Assembly and Set-Up.....	3-4	Warranty and Contact Information	7

SAFETY WARNINGS

⚠ AN IMPORTANT MESSAGE TO PARENTS: This manual contains many warnings and cautions concerning the consequences of failing to maintain, inspect or properly use your PowerWing. Because any incident can result in serious injury or even death, we do not repeat the warning of potential serious injury or death each time such a possibility is mentioned.

⚠ WARNING: Riding the PowerWing can be a hazardous activity. Certain conditions may cause the equipment to fail without fault of the manufacturer. Like other wheeled products, the PowerWing can and is intended to move, and it is therefore possible to lose control, fall off and/or get into dangerous situations that no amount of care, instruction or expertise can eliminate. If such things occur, your child can be seriously injured or die, even when using safety equipment and other precautions. USE COMMON SENSE.

APPROPRIATE RIDER USE AND PARENTAL SUPERVISION

Direct adult supervision is required at all times. This manual contains important safety information. It is your responsibility to review this information and make sure that all children obey all warnings, cautions, instructions and safety topics, and assure that young riders are able to safely use this product. Razor recommends that you periodically review and reinforce the information in this manual with young riders, and that you inspect and maintain your children's product to ensure their safety.

The recommended rider age of 6 years and older for the PowerWing is only an estimate, and can be affected by the rider's size, weight or ability. Any child unable to fit comfortably on the PowerWing should not attempt to ride it.

A parent's decision to allow his or her child to ride this product should be based on the child's maturity, skill and ability to follow rules.

Do not exceed 143 lb (65 kg) on the PowerWing.

Rider weight does not necessarily mean a child's size is appropriate to fit or maintain control of the PowerWing.

ACCEPTABLE RIDING PRACTICES AND CONDITIONS

Direct parental supervision is required. The PowerWing is meant to be used only in controlled environments, free of potential traffic hazards and not on public streets. Do not allow your child to ride the PowerWing in any areas where vehicle traffic is present. Child must maintain a hold on the handlebars at all times. Never allow more than one child at a time to ride the PowerWing. Never use near steps, sloped driveways, hills, roadways, alleys or swimming pool areas.

Do not ride the PowerWing in wet weather. The PowerWing is intended for use on solid, flat, clean and dry surfaces, such as pavement or level ground, without loose debris such as rocks or gravel. Wet, slick or uneven and rough surfaces may impair traction and contribute to possible accidents. Do not ride the PowerWing in mud, ice, puddles or water. Avoid excessive speeds that can be associated with downhill rides. Never risk damaging surfaces, such as carpet or flooring, by use of a PowerWing indoors. Do not ride at night or when visibility is impaired.

PROPER RIDING ATTIRE

Always ensure child is wearing proper protective equipment, such as an approved safety helmet. A helmet may be legally required by local law or regulation in your area. A child should always wear shoes and keep shoelaces tied and out of the way of the wheels. Never ride barefooted or in sandals.

⚠ WARNING: ALWAYS INSPECT POWERWING PRIOR TO RIDING. Properly inspecting and maintaining your PowerWing can reduce the risk of injury. Always inspect your PowerWing before riding and regularly maintain it.

⚠ WARNING: CHECK LOCAL LAWS REGARDING POWERWING USE. Check local laws and regulations to see where and how you may use your Razor PowerWing legally. In many states and local areas, PowerWing riders may be required BY LAW to wear a helmet. Check local laws and regulations regarding laws governing helmet use and PowerWing operation in your area.

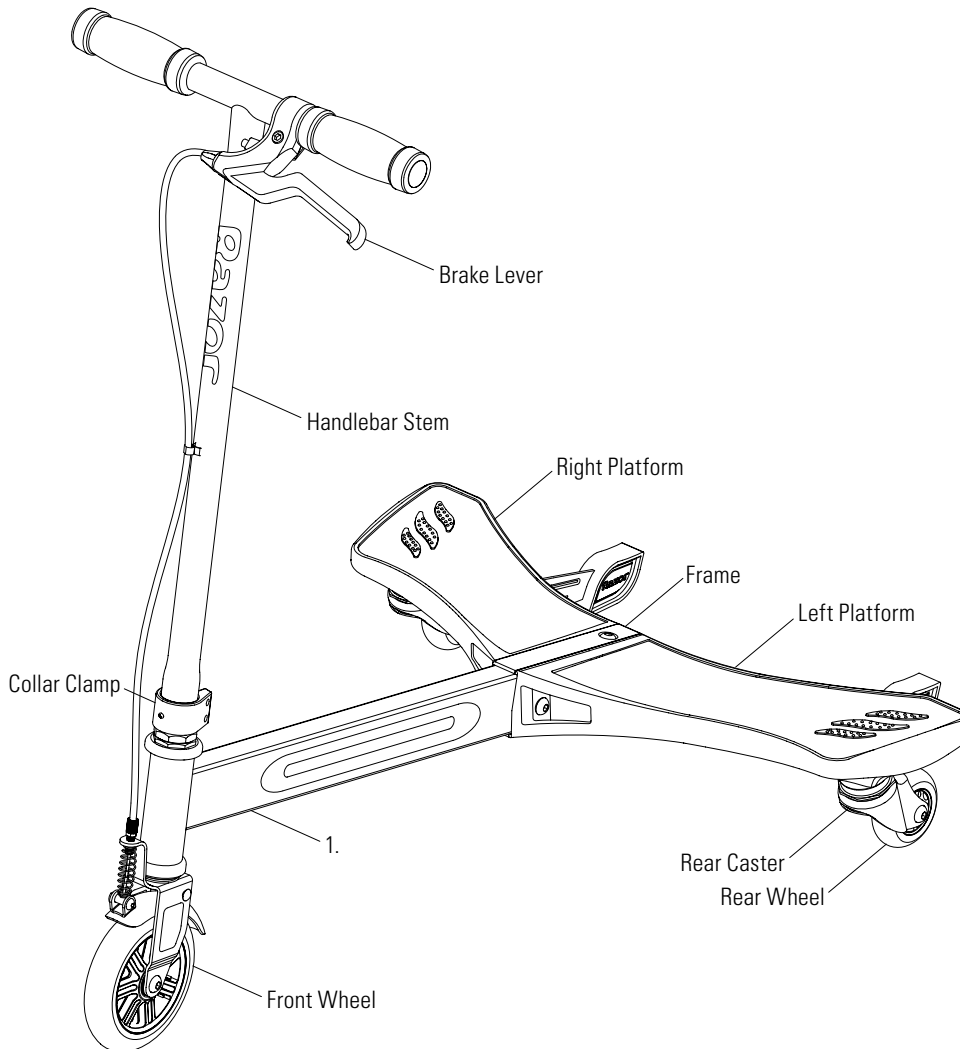
FAILURE TO USE COMMON SENSE AND HEED THE ABOVE WARNINGS FURTHER INCREASES RISK OF SERIOUS INJURY. USE AT YOUR OWN RISK AND WITH APPROPRIATE AND SERIOUS ATTENTION TO SAFE OPERATION. USE CAUTION.

BEFORE YOU BEGIN

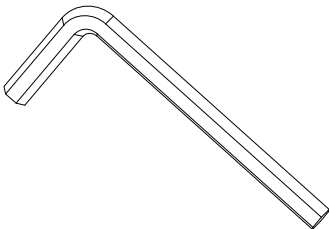
Remove contents from box and check parts against part diagram below. Remove the separators that protect the components from damage during shipping. Inspect the contents of the box for scratches in the paint, dents or kinked cables that may have occurred during shipping. Because the PowerWing is partially assembled and packed at the factory, there should not be any problems even if the box has a few scars or dents.

Estimated Assembly and Set-Up Time

Allow up to 15–20 minutes for assembly. Razor recommends assembly by an adult.



Required Tools



Two (2) 5 mm Allen Wrenches
(Included)

WARNING: DO NOT USE NON-RAZOR PRODUCTS WITH YOUR POWERWING. The PowerWing has been built to certain Razor design specifications. The original equipment supplied at the time of sale was selected on the basis of its compatibility with the frame, fork and all other parts. Certain aftermarket products may not be compatible and will void the warranty.

Product ID Locations:
(See locations to the left)

1. Side of frame
2. Barcode on side of box (not shown)

Box Contents:

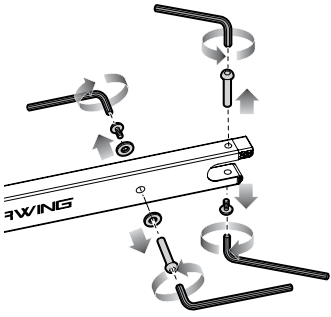
- PowerWing
- Allen Wrenches
- Owner's Manual

Need Help? Visit our website for replacement parts, product support, a list of authorized service centers in the US and customer service contact information at www.razor.com. Please have the product I.D. code (located on the white label of your product) available for better assistance. Additional Customer Service contact information is listed at the back of this manual.

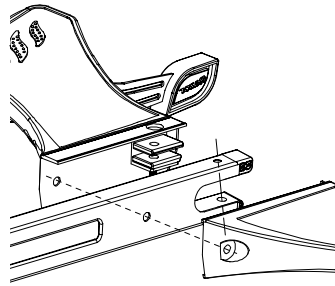
ASSEMBLY AND SET-UP

□ Attaching the Platforms

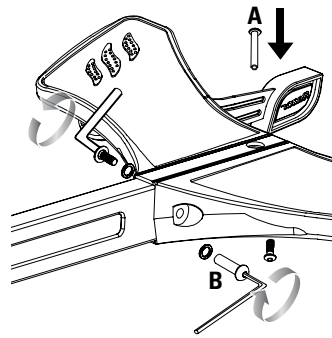
Required Tools: Two (2) 5 mm Allen Wrenches (included)



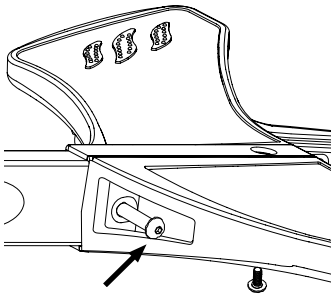
1 Using two (2) 5 mm Allen wrenches, remove the two (2) coupling bolts from the frame.



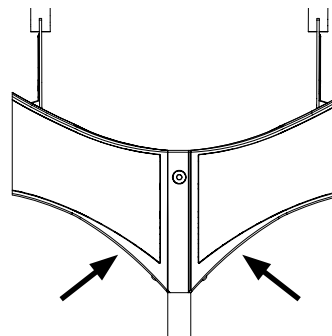
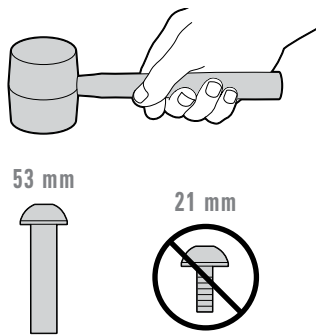
2 Align the holes on the right and left platforms with the holes on the frame.



3 Re-insert coupling bolt (A) first, then re-insert coupling bolt (B). Tighten using two (2) 5 mm Allen wrenches.



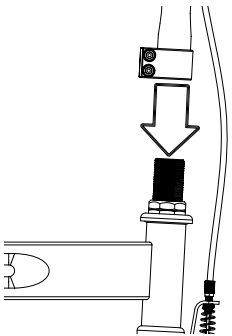
Note: If necessary, carefully tap the coupling bolt with a rubber mallet until it is all the way through the other side of the frame.



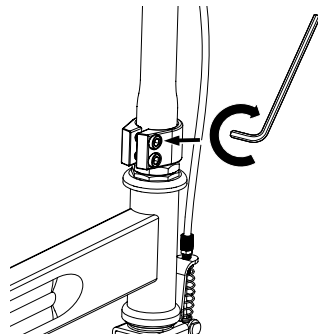
Note: The platforms should be snug against the frame.

□ Attaching the Handlebars

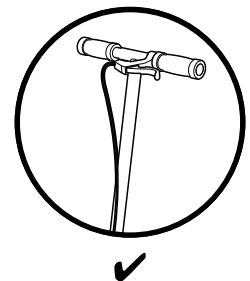
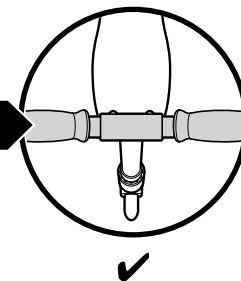
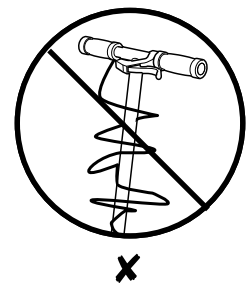
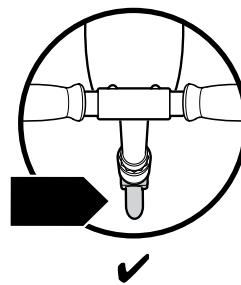
Required Tool: 5 mm Allen Wrench (included)



1 Place the handlebar stem onto the front fork.



2 With the front wheel pointed straight ahead, the handlebars square to the front wheel and the Razor logo facing the front, use a 5 mm Allen wrench to tighten the two (2) bolts on the collar clamp. The collar clamp is properly tightened when the handlebars cannot be twisted out of alignment with the front wheel.



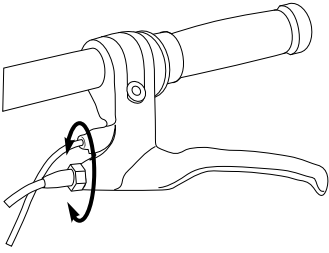
Note: The cable assembly from the handlebar must not wrap around the handlebar stem. Sharp bends or twisting of the brake cable can cause the brake to malfunction.

Need Help? Visit our website for replacement parts, product support, a list of authorized service centers in the US and customer service contact information at www.razor.com. Please have the product I.D. code (located on the white label of your product) available for better assistance. Additional Customer Service contact information is listed at the back of this manual.

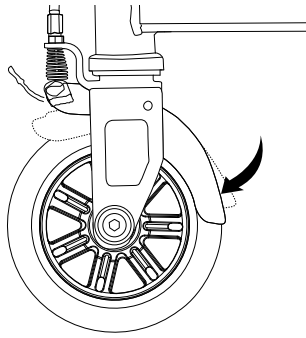
ASSEMBLY AND SET-UP

□ Adjusting the Brake

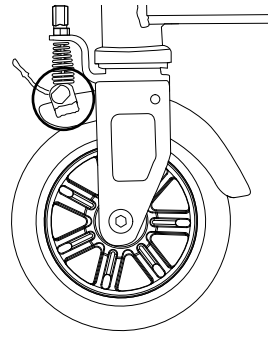
Required Tools: 3 mm Allen Wrench and 8 mm Allen Wrench (not included)



1 To adjust the brake cable wire, thread the brake lever adjuster in or out 1/4 to 1/2 turn until the desired cable tension is attained.



2 Squeeze the brake lever to test the brake to make sure it is working properly. The front fender should clamp down and rub against the front wheel. If brake is not working properly, proceed to the next step.



3 If the brake is too tight or too loose, use a 8 mm wrench and a 3 mm Allen wrench to adjust as needed.

PRE-RIDE CHECKLIST



Loose Parts

Check and secure all fasteners before every ride. Make sure the steering bolts and foot platforms are tight. There should not be any unusual rattles or sounds from loose parts or broken components. If you are not sure, call 1-866-467-2967 for assistance.



Replacement Parts

Replace worn or broken parts immediately. Call 1-866-467-2967 for parts or visit www.razor.com.



Brake

Check the brake for proper function. When you squeeze the brake lever, the brake should provide positive braking action.



Frame, Fork and Handlebars

Check for cracks or broken connections. Although broken frames are rare, it is possible for an aggressive rider to run into a curb or wall and wreck, bend or break a frame. Get in the habit of inspecting yours regularly.



Safety Gear

Always wear proper protective equipment, such as an approved safety helmet, elbow pads and kneepads. Always wear shoes (lace-up with rubber soles) and keep shoelaces tied and out of the way of the wheels. Never ride barefooted or in sandals.

USAGE

How to Ride

Place both hands on the handlebars. Place one foot on the platform directly above the caster. Push off with the other foot then place foot on the other platform directly above the caster. Slightly bend knees. With handlebars straight, swing hips and legs side to side. Shifting weight on the platforms from right to left in sync with hips and legs. The side to side motion acts to self propel the PowerWing. No pushing required.

How to Stop

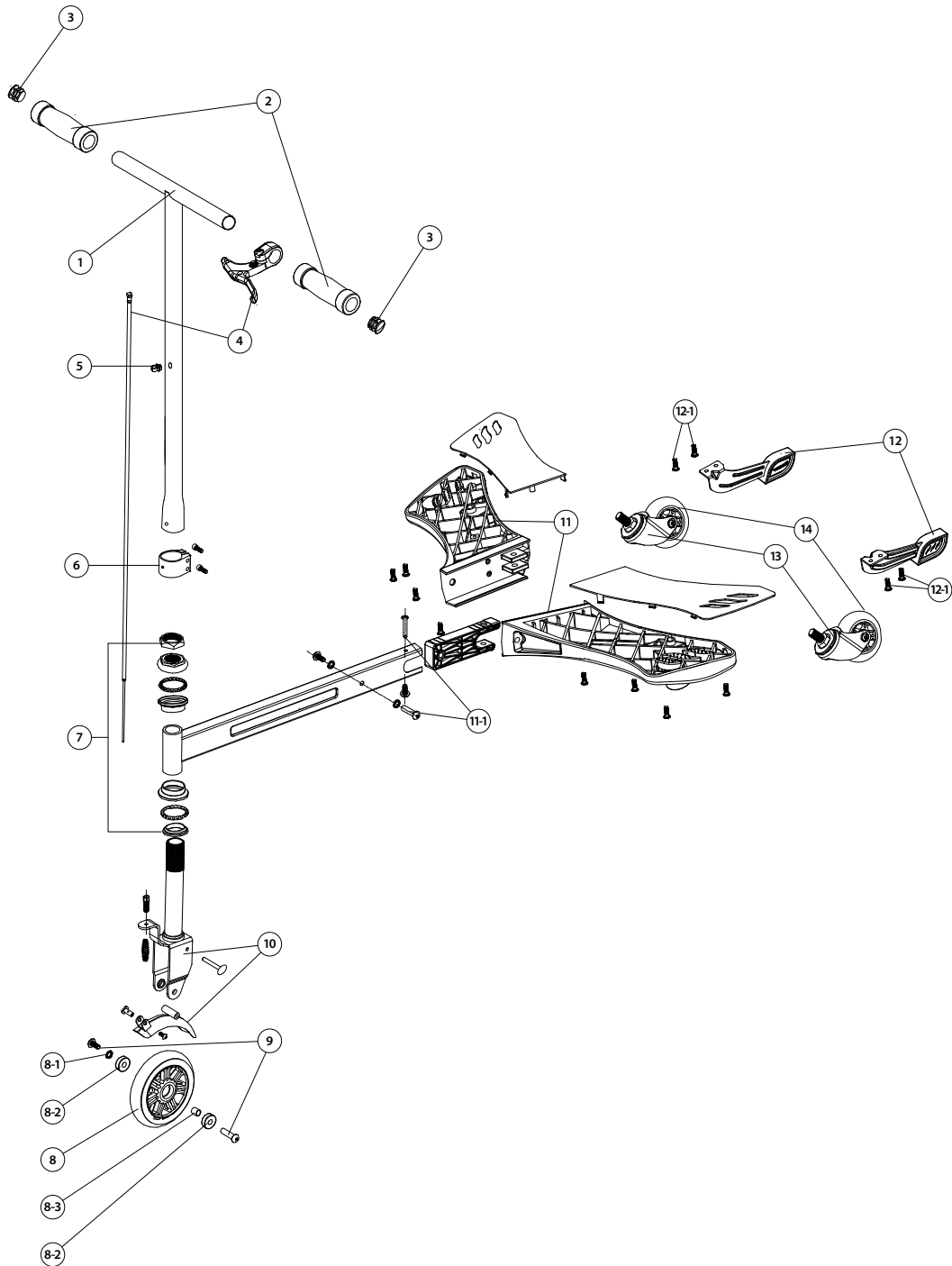
Apply hand brake by squeezing brake lever.

Note: Do not step off of platforms until unit has come to a complete stop.

POWERWING PARTS

Keep your PowerWing working for years with genuine Razor parts. Visit our website www.razor.com to purchase replacement parts. (Specifications subject to change without notice.)

- | | | |
|-------------------------|-------------------------------------|-----------------------------------|
| 1. Handlebar Stem | 7. Headset Bearings (Upper/Lower) | 11. Platforms (Right/Left) |
| 2. Handlebar Grip (x2) | 8. Front Wheel | 11-1 Platform Coupling Bolt (x2) |
| 3. Handlebar End Caps | 8-1 Front Wheel Washer | 12. Stability Bar (Right/Left) |
| 4. Brake Lever Assembly | 8-2 Front Wheel Bearing (x2) | 12-1 5 mm Hexagonal Bolt (x4) |
| 5. Brake Cable Guide | 8-3 Front Wheel Spacer | 13. Caster (Right/Left) |
| 6. Collar Clamp | 9. Front Axle Bolt | 14. 64 mm Rear Wheel (Right/Left) |
| | 10. Front Fork with Fender Assembly | |



Need Help? Visit our website for replacement parts, product support, a list of authorized service centers in the US and customer service contact information at www.razor.com. Please have the product I.D. code (located on the white label of your product) available for better assistance. Additional Customer Service contact information is listed at the back of this manual.

WARRANTY

Razor Limited Warranty

The manufacturer warrants this product to be free of manufacturing defects for a period of 6 months from date of purchase. This Limited Warranty does not cover normal wear and tear, wheels, or any damage, failure or loss caused by improper assembly, maintenance, storage or use of the Razor PowerWing.

This Limited Warranty will be void if the product is ever:

- used in a manner other than for recreation or transportation;
- modified in any way;
- rented.

The manufacturer is not liable for incidental or consequential loss or damage due directly or indirectly to the use of this product.

Razor does not offer an extended warranty. If you have purchased an extended warranty, it must be honored by the store at which it was purchased.

For your records, save your original sales receipt with this manual and write the serial number below.

CUSTOMER SERVICE CONTACT INFORMATION

Need Help? Visit our website for product support, a list of authorized service centers in the US and customer service contact information at www.razor.com. Please have the product I.D. code (located on the white label of your product) available for better assistance. Additional Customer Service contact information is listed below:

AMERICAS

Razor USA LLC
P.O. Box 3610
Cerritos, CA 90703
USA

+1 866 467 2967
Monday - Friday
8:00 AM - 5:00 PM Pacific Time
customersupport@razorusa.com

EUROPE, MIDDLE EAST, AFRICA

Razor USA LLC (Europe)
Handelsweg 2
2742 RD Waddinxveen
Netherlands

+44 (0) 120 267 2702
info@razoreu.com

ASIA

Razor USA LLC (Asia)
P.O. Box 3610
Cerritos, CA 90703
USA

+81 50 7579 6622
info@razor-asia.com

UNITED KINGDOM AND IRELAND

Razor USA LLC (UK)
Unit 20
Hartnoll Business Centre
Post Hill, Tiverton
Devon EX16 4NG
UK

+44 (0) 120 267 2702
info@razoreu.com

AUSTRALIA AND NEW ZEALAND

Razor USA LLC
P.O. Box 4280
Auburn South
VIC 3122
Australia

+1 800 954 354 (AU)
+0 800 003 221 (NZ)
info@razoranz.com

US Patent No. 7,597,334 B2, 7,681,895 B2 & 7,784,803 B2

Printed in China for Razor USA LLC.

Copyright © 2003-2021 Razor USA, LLC. All rights reserved. Razor®, the Razor logo design, PowerWing®, and the PowerWing logo design among the registered trademarks of Razor USA LLC in the United States and/or select foreign countries.