

**Required Tools: (Not included)**

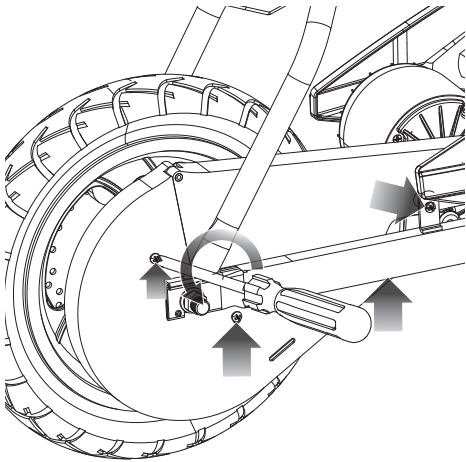
A. Phillips screwdriver

**⚠ WARNING**

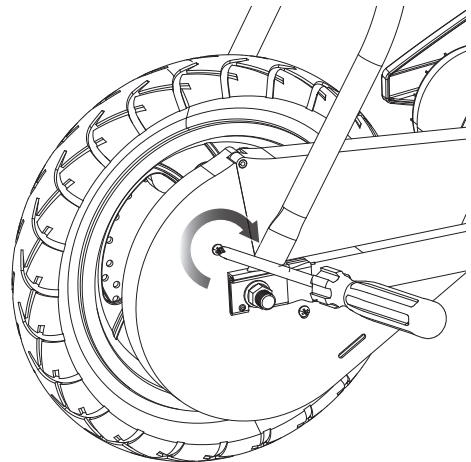
**⚠ CAUTION:** To avoid potential shock or other injury, turn power switch **OFF** and disconnect charger before conducting any assembly or maintenance procedures. Failure to follow these steps in the correct order may cause irreparable damage.

**Step 1**

Using a Phillips screwdriver, loosen the four (4) screws and remove chain guard.

**Step 2**

Install the new chain guard using the four (4) screws.



**ATTENTION:** Charge battery 12 hours before using.