

Required Tools: (Not included)

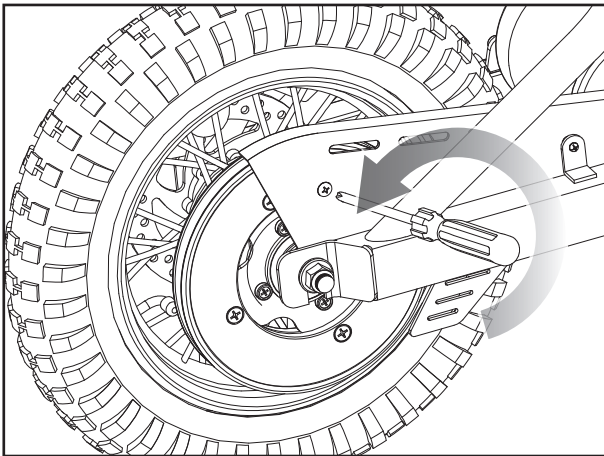
- A. Two (2) 19 mm Wrenches
- B. Phillips screwdriver

⚠WARNING

⚠CAUTION: To avoid potential shock or other injury, turn power switch OFF and disconnect charger before performing any assembly or maintenance procedures. Failure to follow these steps in the correct order may cause irreparable damage.

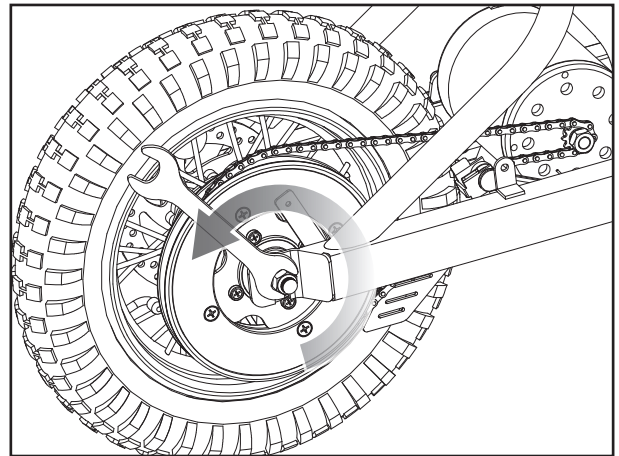
Step 1

Using a Phillips screwdriver, loosen screws and remove chain guard.



Step 2

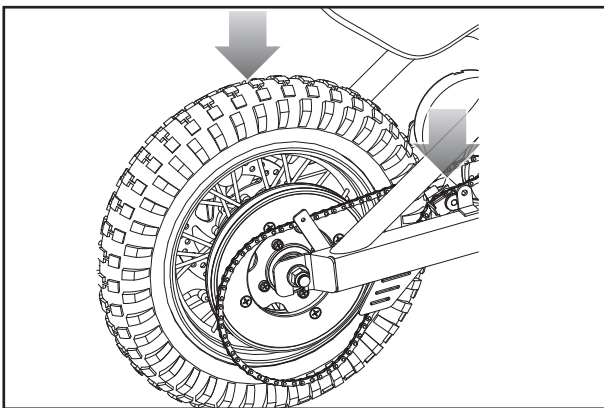
Using two (2) 19 mm wrenches, loosen both axle nuts.



Step 3

Push the chain tensioner down to loosen the chain and remove the chain from the wheel sprocket and motor sprocket. Push and remove the wheel downward.

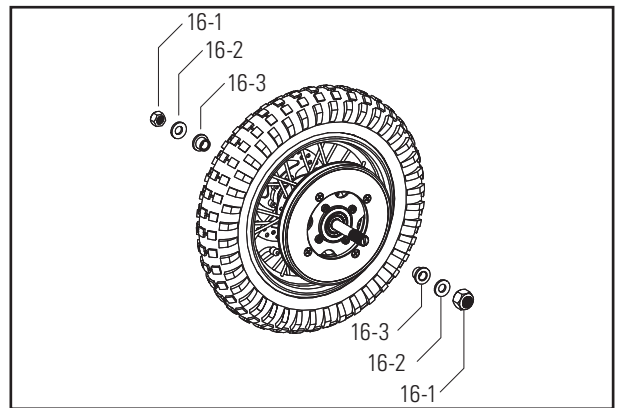
Note: Your hands will get greasy doing this.



Step 4

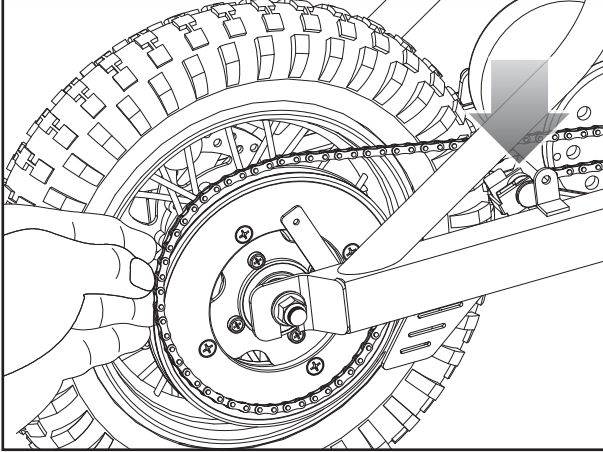
Note: the arrangement of the hardware sequence:

Right Side (Throttle)	Left Side (Brake)
16-1 Nut	16-1 Nut
16-2 Washer	16-2 Washer
Frame	Frame
16-3 Spacer	16-3 Spacer



Step 5

Install the new chain or wheel by slipping the chain around the axle. Slide the axle into the slots on the frame. Slide the chain tensioner down and maneuver the chain onto the rear sprocket and motor sprocket.



Attention: Charge battery for 12 hours before using.

Step 6

Reattach the chain guard. Test ride and check. Readjust as needed.

