

### Required Tools: (Not included)

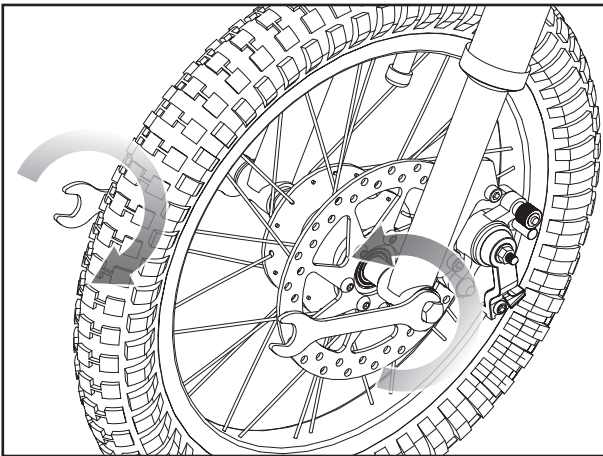
- A. 14 mm Wrench
- B. 17 mm Wrench

### ⚠WARNING

**⚠CAUTION:** To avoid potential shock or other injury, turn power switch OFF and disconnect charger before performing any assembly or maintenance procedures. Failure to follow these steps in the correct order may cause irreparable damage.

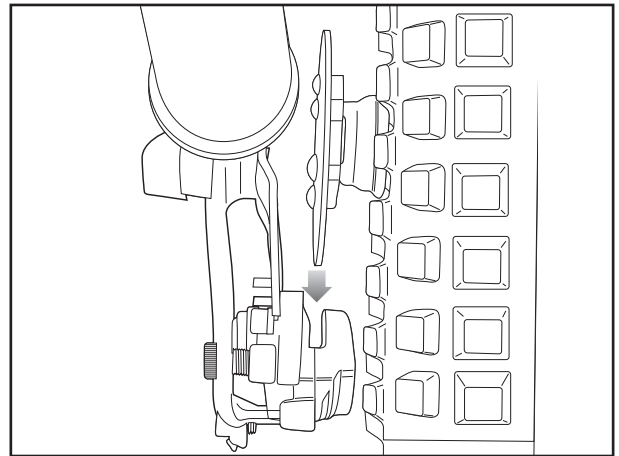
### Step 1

Using a 14 mm and 17 mm wrench, loosen and remove the front wheel.



### Step 2

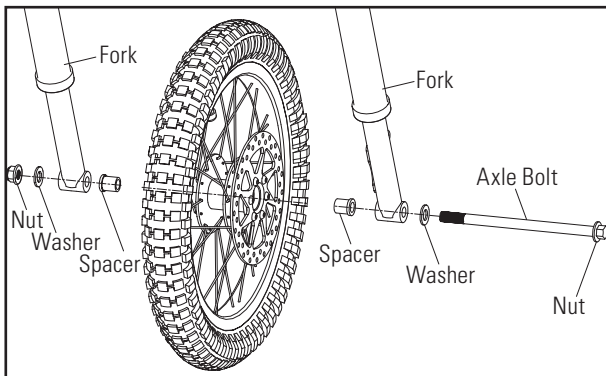
Position wheel in front fork and slide disc brake into caliper.



### Step 3

Slide axle through fork, spacer and wheel hub. When axle passes through the other side of the wheel hub, add the other spacer, and slide through the fork. Secure with washer and nut.

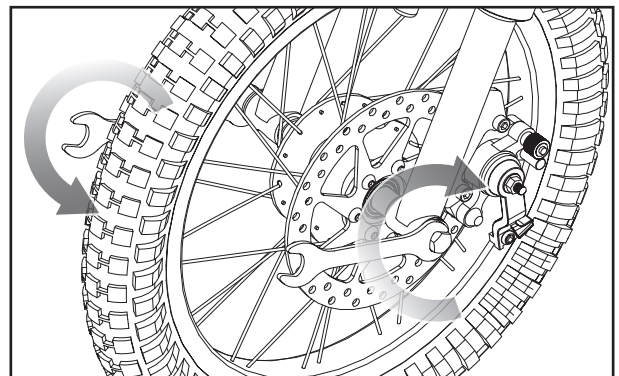
**Note:** Front axle is installed with the spacer between the fork and wheel for all Dirt Rockets.



### Step 4

Using a 14 mm and 17 mm wrench, tighten the front wheel.

**WARNING:** Failing to properly adjust and tighten the nuts and bolts that affix the fork can cause you to lose control and fall.



**Attention:** Charge battery for 12 hours before using.