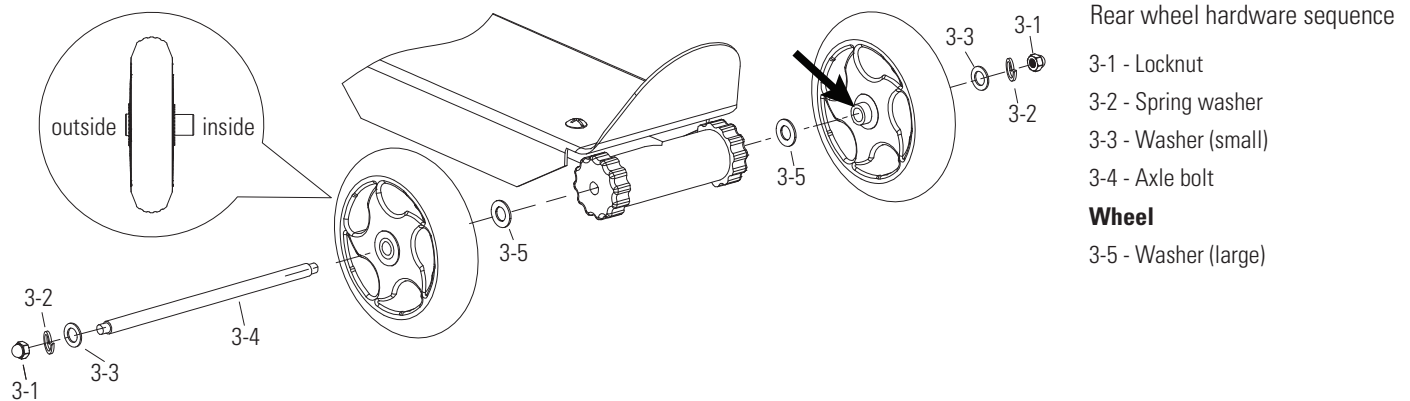


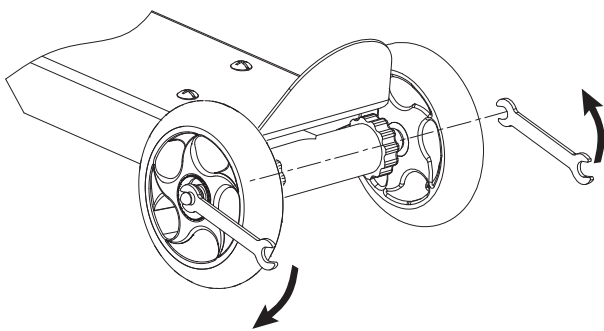
# REAR WHEEL ASSEMBLY UPDATE

## Attaching the rear wheels

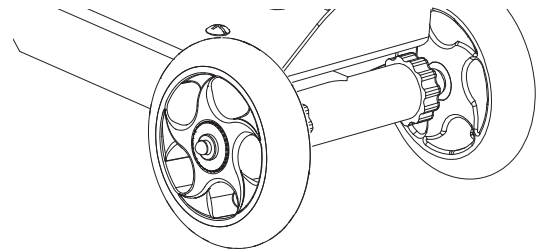
Tools Needed: (2) 10mm wrench



**1** Remove the locknut, spring washer and washers (x3) **from one side** of the axle bolt. Insert the axle bolt through the rear wheel making sure the long spacer on the wheel (refer to arrow above) is facing towards the frame. Insert the large washer (3-5) onto the axle bolt and slide the axle bolt through the frame. Slide the other large washer and wheel (with the long spacer facing inwards towards the frame) onto the axle bolt.



**2** Insert the small washer (3-3), spring washer (3-2) and locknut (3-1) onto the axle bolt and tighten securely using a 10mm wrench.



**3** Make sure the locknut, spring washer and small washer are securely tightened against the wheel.