

Step 1

Using a Phillips screwdriver remove seven (7) screws from each side of the battery cover and remove both side covers.

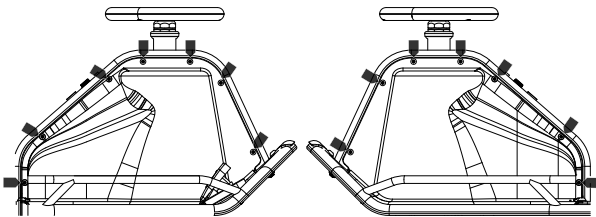


Figure 1

Step 2

Locate and disconnect the battery connector from the control module.

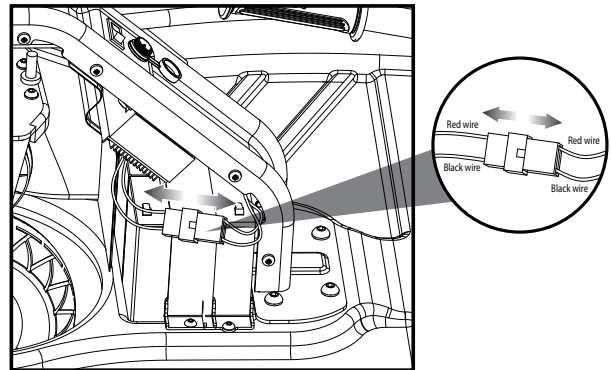


Figure 2

Step 3

Loosen and remove wingnut along with the battery bracket.

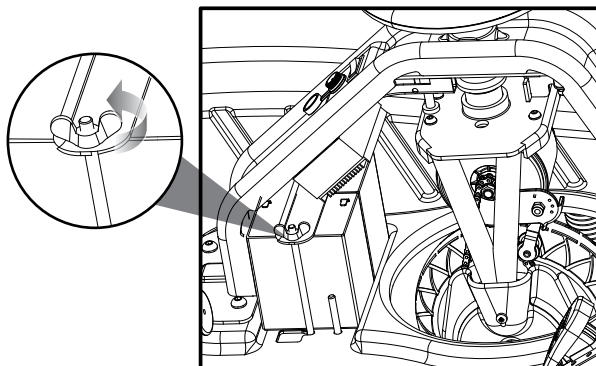


Figure 3

Step 4

Using one hand push the batteries out of the product being careful not to damage the wire from the foot pedal throttle.

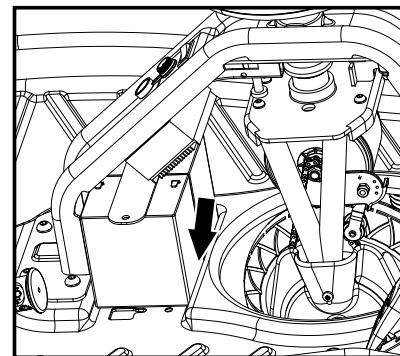


Figure 4

Step 5

Continue to push or pull the batteries until they are completely out of the battery tray.

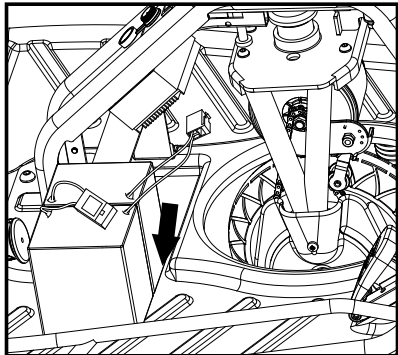


Figure 5

Step 6

When installing your new set of batteries make sure that you place them in this sequence, both terminals must be facing each other, the terminals from the reset button need to be facing the seat and the terminals from the connector need to be facing the front of the product.

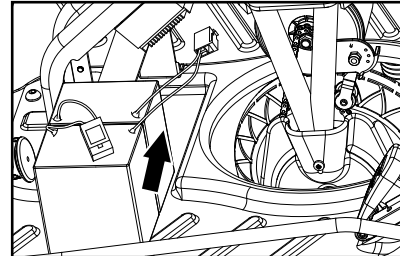


Figure 6

Reverse steps 1 through 6 to install replacement batteries.

- Place the new batteries inside
- Re-connect the battery and control module
- Place the bracket back to secure the battery
- Re-attach battery cover with screws

ATTENTION: Charge new battery 12 hours before initial use.

Battery Care

⚠ WARNING: If a battery leak develops, avoid contact with the leaking acid and place the damaged battery in a plastic bag. Refer to the disposal instructions below. If acid comes into contact with skin or eyes, flush with cool water for at least 15 minutes and contact a physician.

Battery Care:

Charge a new battery for at least 12 hours before initial use. Never charge the battery longer than 24 hours. Overheating or undercharging the battery may shorten battery life and decrease product run time.

After the first charge, recharge the battery for at least 12 hours after each use. Charge the battery after each use, regardless of how long the product was used.

Do not allow the battery to run down completely before charging.

Charge the battery at least once per month, even if the product has not been used.

Charge the battery before storing the product. Leaving the battery in a discharged condition can result in a battery that will no longer take a charge.

Do not store in freezing or below freezing temperatures.

Charger:

The charger supplied with the product should be regularly examined for damage to the cord, plug, enclosure and other parts and in the event of such damage, the product must not be charged until the charger has been repaired or replaced.

Battery Disposal



CONTAINS SEALED LEAD-ACID BATTERY. BATTERY MUST BE RECYCLED.

Your Razor product uses sealed lead-acid batteries which must be recycled or disposed of in an environmentally sound manner. Do not dispose of a lead-acid battery in a fire. The battery may explode or leak. Do not dispose of a lead-acid battery in your regular household trash. The incineration, land filling or mixing of sealed lead acid batteries with household trash is prohibited by law in most areas. Return exhausted batteries to a federal or state approved lead-acid battery recycler or a local seller of automotive batteries. If you live in Florida or Minnesota, it is prohibited by law to throw away lead-acid batteries in the municipal waste stream.

Customer Service Contact Information

Need Help? Visit our web site for replacement parts, product support, a list of authorized service centers in the US and customer service contact information at www.razor.com. Please have the product I.D. code (located on the white label of your product) available for better assistance. Additional Customer Service contact information is listed below:

AMERICAS

Razor USA LLC
P.O. Box 3610
Cerritos, CA 90703
USA

+1 866 467 2967
Monday - Friday
8:00 AM - 5:00 PM Pacific Time
customersupport@razorusa.com

EUROPE

Razor USA LLC (Europe)
Handelsweg 2
2742 RD Waddinxveen
Netherlands

+44 (0) 120 267 2702

ASIA

Razor USA LLC (Asia)
P.O. Box 3610
Cerritos, CA 90703
USA

+81 50 7579 6622
info@razor-asia.com

DISTRIBUTED IN THE UK BY:

Re:creation Limited
2 Meadows Business Park
Station Approach, Blackwater
Camberley, Surrey GU17 9AB
United Kingdom

+44 (0) 118 973 6222 Tel
+44 (0) 118 973 6220 Fax
sales@recreationltd.co.uk

DISTRIBUTED IN AUSTRALIA BY:

Funtastic Limited
Level 2, Tower 2, Chadstone Place
1341 Dandenong Road
Chadstone VIC 3148
Australia

+1 800 244 543
info@funtastic.com.au

Printed in China for Razor USA LLC.

Copyright © 2003-2016 Razor USA, LLC. All rights reserved. Razor® and the Razor logo design are among the registered trademarks of Razor USA LLC in the United States and/or select foreign countries. Crazy Car™ is a trademark of Razor USA LLC.

160803

Need Help? Visit our website at www.razor.com or call toll-free at **866-467-2967** Monday - Friday 8:00 AM - 5:00 PM PST.